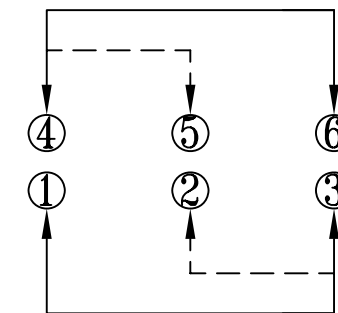
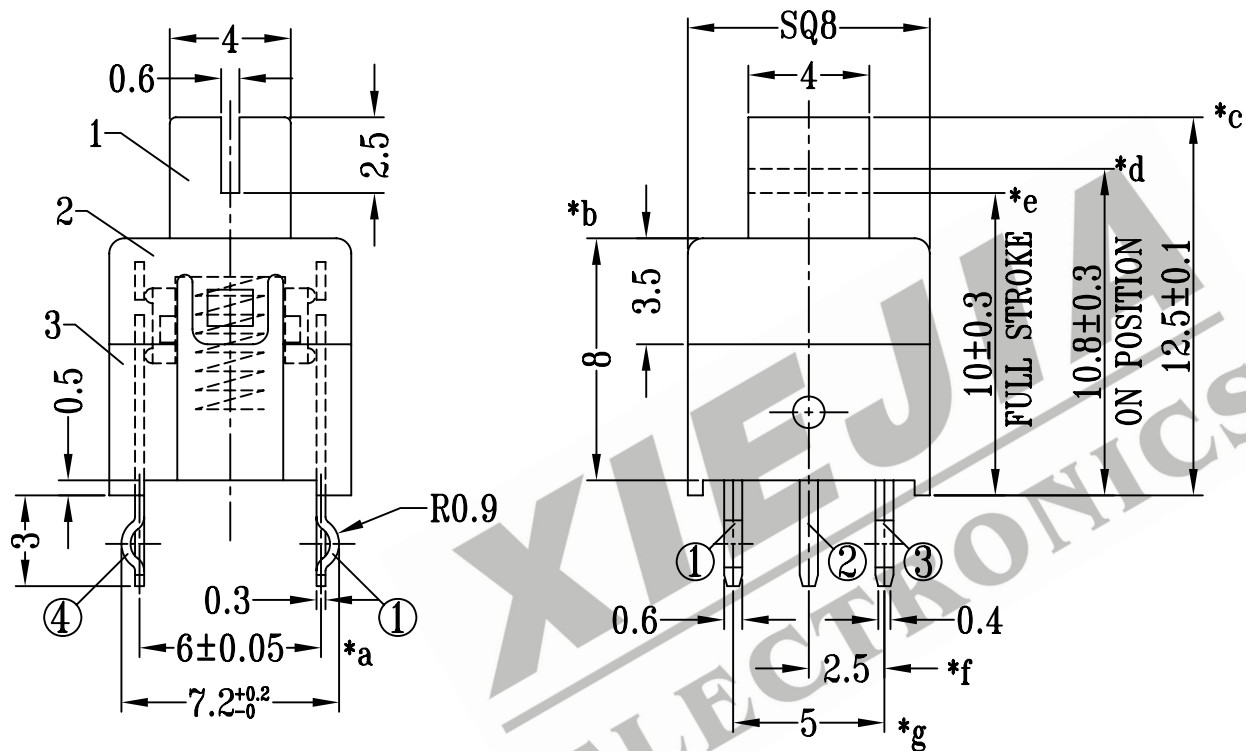
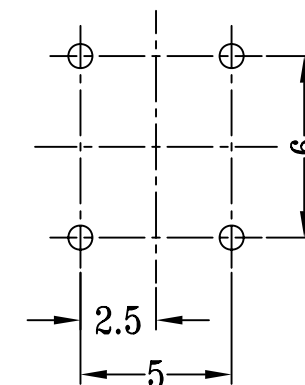


CAD FILE:



SCHEMATIC



P.C.B. LAYOUT

注:带"*"表示关键尺寸(7个)

NO.	PART NAME	MATERIAL	Q'TY	FINISHING	TOLERANCE UNLESS SPECIFIED	SHENZHEN XIEJIA ELECTRONICS CO.,LTD.				
8										
7										
6					WITHIN: 1.5±0.1mm OVER : 1.5±0.2mm	ISSUE	DATE	DESCRIPTIONS		APPD.
5	CONTACT	PBS STRIP	2	Ag CLAD	TITLE : VERTICAL PUSH SWITCH MODEL: PB-22E28 ALL MATERIALS MUST BE COMPLIANT TO ROHS	UNIT : MM		DRWG NO.: XJ-DR-PB22E28-00		
4	SPRING	SUS	1	TEMPER		SCALE: 4 : 1		DWN.	ZHOUYU	2004-9-20
3	CASE	PBT/BRASS STRIP	1	BLACK/Ag PLATED		CHK'D	FANGYING	2004-9-20		
2	COVER	POM	1	WHITE		APPD.	KANGXINAN	2004-9-20		
1	KNOB	POM	1	BLACK						